

# PCB coding switch

HEX 3+3



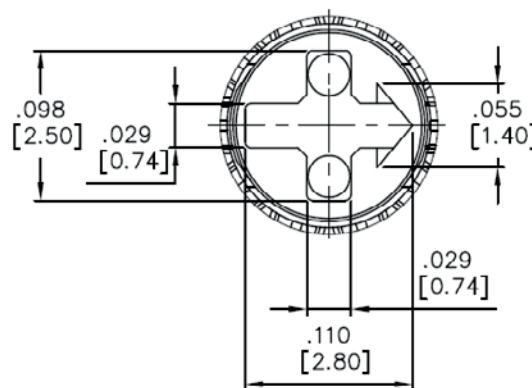
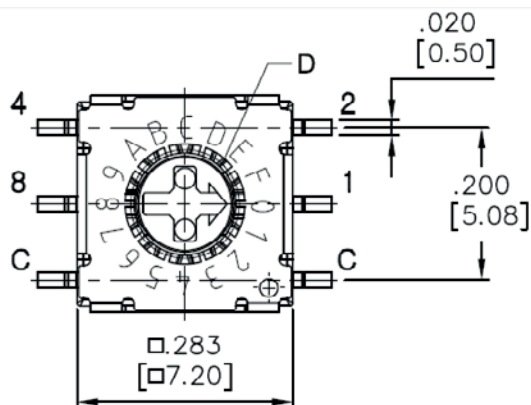
## SPECIFICATION:

Switching type	HEX
Pins	3+3
Pitch	2.54 mm
Actuation	above
Switching capacity	0.1 A@ 42 VDC
Contact resistance	100 mΩ
Temperature range	-10...+70 °C
Height	3.0 mm
Length	7.2 mm
Width	7.2 mm
Actuation force	117.7 N
Protection rating	IP 67

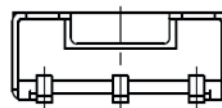
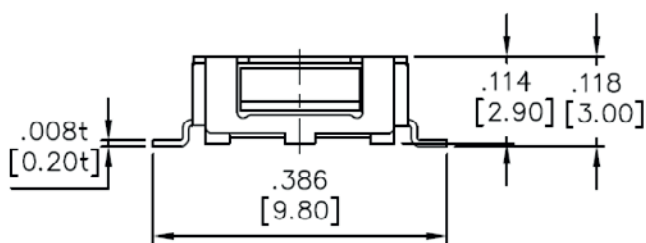


Art. Nr.

RND 210-00240



DETAIL D  
SCALE 2:1



CODE NO: 10  
10 POSITION

CODE NO: 16  
16 POSITION

		Real Code				
		C	1	2	4	8
10 P o s i t i o n	0	●	●	●	●	●
	1	●	●	●	●	●
	2	●	●	●	●	●
	3	●	●	●	●	●
	4	●	●	●	●	●
	5	●	●	●	●	●
	6	●	●	●	●	●
	7	●	●	●	●	●
	8	●	●	●	●	●
	9	●	●	●	●	●
16 P o s i t i o n	A	●	●	●	●	●
	B	●	●	●	●	●
	C	●	●	●	●	●
	D	●	●	●	●	●
	E	●	●	●	●	●
	F	●	●	●	●	●

